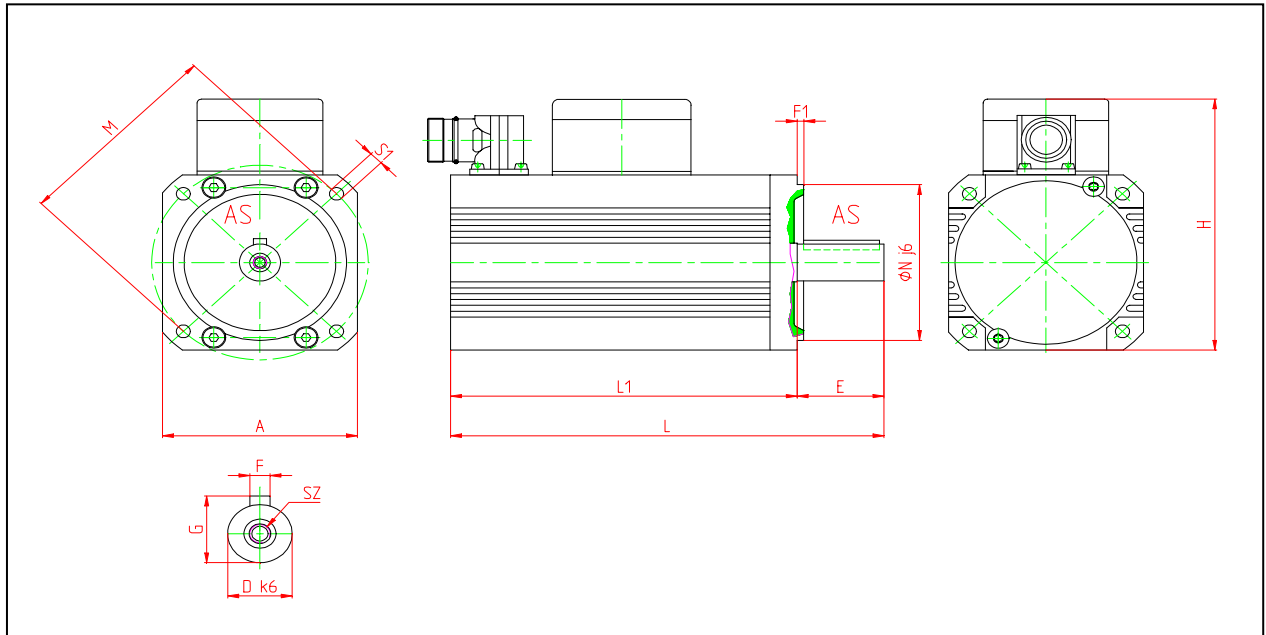


Masszeichnung SAC Servomotoren:



| Typ | Flansch | | | | | Wellenende | | | | | | | | Längenmasse | | | | M Kg | |
|-------------------|---------|----|------|-----|-----|------------|------|----|----|------|----|-----|-----|-------------|-------|-------|-------|---------|------|
| | A | M | N | F1 | S1 | D | D* | E | E* | G | G* | F | F* | SZ | L | L* | L1 | | H |
| SAC55M/EY-2048 | 55 | 63 | 40j6 | 2.5 | 5.5 | 9k6 | | 20 | | 10.2 | | 3h9 | | M3 | 140 | 120 | 86 | 1 | |
| SAC55M/RA | 55 | 63 | 40j6 | 2.5 | 5.5 | 9k6 | | 20 | | 10.2 | | 3h9 | | M3 | 125 | 105 | 86 | 1 | |
| SAC55M/EY-2048/BT | 55 | 63 | 40j6 | 2.5 | 5.5 | 9k6 | | 20 | | 10.2 | | 3h9 | | M3 | 170 | 150 | 90 | 1.2 | |
| SAC55M/RA/BT | 55 | 63 | 40j6 | 2.5 | 5.5 | 9k6 | | 20 | | 10.2 | | 3h9 | | M3 | 155 | 135 | 90 | 1.2 | |
| SAC70S/RA | 70 | 75 | 60j6 | 2.5 | 5.5 | 11k6 | 14k6 | 23 | 30 | 12.5 | 16 | 4h9 | 5H9 | M4 | 156 | 163 | 133 | 103 | 1.75 |
| SAC70M/RA | 70 | 75 | 60j6 | 2.5 | 5.5 | 11k6 | 14k6 | 23 | 30 | 12.5 | 16 | 4h9 | 5H9 | M4 | 191 | 198 | 168 | 103 | 2.25 |
| SAC70L/RA | 70 | 75 | 60j6 | 2.5 | 5.5 | 11k6 | 14k6 | 23 | 30 | 12.5 | 16 | 4h9 | 5H9 | M4 | 226 | 233 | 203 | 103 | 3.35 |
| SAC70S/EY-2048 | 70 | 75 | 60j6 | 2.5 | 5.5 | 11k6 | 14k6 | 23 | 30 | 12.5 | 16 | 4h9 | 5H9 | M4 | 169 | 175.5 | 145.5 | 103 | 1.75 |
| SAC70M/EY-2048 | 70 | 75 | 60j6 | 2.5 | 5.5 | 11k6 | 14k6 | 23 | 30 | 12.5 | 16 | 4h9 | 5H9 | M4 | 204 | 210.5 | 180.5 | 103 | 2.25 |
| SAC70L/EY-2048 | 70 | 75 | 60j6 | 2.5 | 5.5 | 11k6 | 14k6 | 23 | 30 | 12.5 | 16 | 4h9 | 5H9 | M4 | 239 | 245.5 | 215.5 | 103 | 3.35 |
| SAC70S/RA/BT | 70 | 75 | 60j6 | 2.5 | 5.5 | 11k6 | 14k6 | 23 | 30 | 12.5 | 16 | 4h9 | 5H9 | M4 | 182 | 188.5 | 158.5 | 103 | 2.16 |
| SAC70M/RA/BT | 70 | 75 | 60j6 | 2.5 | 5.5 | 11k6 | 14k6 | 23 | 30 | 12.5 | 16 | 4h9 | 5H9 | M4 | 217 | 223.5 | 193.5 | 103 | 2.96 |
| SAC70L/RA/BT | 70 | 75 | 60j6 | 2.5 | 5.5 | 11k6 | 14k6 | 23 | 30 | 12.5 | 16 | 4h9 | 5H9 | M4 | 252 | 258.5 | 228.5 | 103 | 3.76 |
| SAC70S/EY-2048/BT | 70 | 75 | 60j6 | 2.5 | 5.5 | 11k6 | 14k6 | 23 | 30 | 12.5 | 16 | 4h9 | 5H9 | M4 | 194 | 201 | 171 | 103 | 2.16 |
| SAC70M/EY-2048/BT | 70 | 75 | 60j6 | 2.5 | 5.5 | 11k6 | 14k6 | 23 | 30 | 12.5 | 16 | 4h9 | 5H9 | M4 | 229 | 236 | 206 | 103 | 2.96 |
| SAC70L/EY-2048/BT | 70 | 75 | 60j6 | 2.5 | 5.5 | 11k6 | 14k6 | 23 | 30 | 12.5 | 16 | 4h9 | 5H9 | M4 | 264 | 271 | 241 | 103 | 3.76 |
| SAC70S/ES-MT | 70 | 75 | 60j6 | 2.5 | 5.5 | 11k6 | 14k6 | 23 | 30 | 12.5 | 16 | 4h9 | 5H9 | M4 | 185 | 192 | 162 | 103 | 1.8 |
| SAC70M/ES-MT | 70 | 75 | 60j6 | 2.5 | 5.5 | 11k6 | 14k6 | 23 | 30 | 12.5 | 16 | 4h9 | 5H9 | M4 | 220 | 227 | 197 | 103 | 2.3 |
| SAC70L/ES-MT | 70 | 75 | 60j6 | 2.5 | 5.5 | 11k6 | 14k6 | 23 | 30 | 12.5 | 16 | 4h9 | 5H9 | M4 | 255 | 262 | 232 | 103 | 3.4 |
| SAC70S/ES-MT/BT | 70 | 75 | 60j6 | 2.5 | 5.5 | 11k6 | 14k6 | 23 | 30 | 12.5 | 16 | 4h9 | 5H9 | M4 | 210.5 | 217.5 | 187.5 | 103 | 2.21 |
| SAC70M/ES-MT/BT | 70 | 75 | 60j6 | 2.5 | 5.5 | 11k6 | 14k6 | 23 | 30 | 12.5 | 16 | 4h9 | 5H9 | M4 | 245.5 | 252.5 | 222.5 | 103 | 2.67 |
| SAC70L/ES-MT/BT | 70 | 75 | 60j6 | 2.5 | 5.5 | 11k6 | 14k6 | 23 | 30 | 12.5 | 16 | 4h9 | 5H9 | M4 | 280.5 | 287.5 | 257.5 | 103 | 3.13 |

Die mit * bezeichneten Positionen gelten bei Anwendung des optionalen Wellenendes.

Althardstrasse 190

8105 Regensdorf

Tel +41 44 870 94 00

Fax +41 44 870 94 01

e-mail: info@gmb-em.ch

Internet www.gmb-em.ch

24 h Störungsdienst

Tel. +41 44 870 93 00

| Typ | Flansch | | | | | Wellenende | | | | | | | | | Längenmasse | | | | M Kg |
|--------------|---------|-----|-------|-----|-----|------------|------|----|----|------|------|-----|-----|----|-------------|-----|-----|-----|---------|
| | A | M | N | F1 | S1 | D | D* | E | E* | G | G* | F | F* | SZ | L | L* | L1 | H1 | |
| SAC90S | 90 | 100 | 80j6 | 3 | 6.5 | 19k6 | 14k6 | 40 | 30 | 21.5 | 16 | 6h9 | 5h9 | M6 | 200 | 190 | 160 | 129 | 3.15 |
| SAC90M | 90 | 100 | 80j6 | 3 | 6.5 | 19k6 | 14k6 | 40 | 30 | 21.5 | 16 | 6h9 | 5h9 | M6 | 235 | 225 | 195 | 129 | 4.15 |
| SAC90L | 90 | 100 | 80j6 | 3 | 6.5 | 19k6 | 14k6 | 40 | 30 | 21.5 | 16 | 6h9 | 5h9 | M6 | 270 | 260 | 230 | 129 | 5.15 |
| SAC90S/BR | 90 | 100 | 80j6 | 3 | 6.5 | 19k6 | 14k6 | 40 | 30 | 21.5 | 16 | 6h9 | 5h9 | M6 | 232 | 222 | 192 | 129 | 3.7 |
| SAC90M/BR | 90 | 100 | 80j6 | 3 | 6.5 | 19k6 | 14k6 | 40 | 30 | 21.5 | 16 | 6h9 | 5h9 | M6 | 267 | 257 | 227 | 129 | 4.7 |
| SAC90L/BR | 90 | 100 | 80j6 | 3 | 6.5 | 19k6 | 14k6 | 40 | 30 | 21.5 | 16 | 6h9 | 5h9 | M6 | 302 | 292 | 262 | 129 | 5.7 |
| SAC90S/BT | 90 | 100 | 80j6 | 3 | 6.5 | 14k6 | | 30 | | 21.5 | | 5h9 | | M6 | 204 | | 174 | 129 | 3.5 |
| SAC90M/BT | 90 | 100 | 80j6 | 3 | 6.5 | 14k6 | | 30 | | 21.5 | | 5h9 | | M6 | 239 | | 209 | 129 | 4.5 |
| SAC90L/BT | 90 | 100 | 80j6 | 3 | 6.5 | 14k6 | | 30 | | 21.5 | | 5h9 | | M6 | 274 | | 244 | 129 | 5.5 |
| SAC90S/ES-.. | 90 | 100 | 80j6 | 3 | 6.5 | 19k6 | 14k6 | 40 | 30 | 21.5 | 16 | 6h9 | 5h9 | M6 | 221 | 211 | 181 | 129 | 3.3 |
| SAC90M/ES-.. | 90 | 100 | 80j6 | 3 | 6.5 | 19k6 | 14k6 | 40 | 30 | 21.5 | 16 | 6h9 | 5h9 | M6 | 256 | 246 | 216 | 129 | 4.3 |
| SAC90L/ES-.. | 90 | 100 | 80j6 | 3 | 6.5 | 19k6 | 14k6 | 40 | 30 | 21.5 | 16 | 6h9 | 5h9 | M6 | 291 | 281 | 251 | 129 | 5.3 |
| BAC90S/H0 | 90 | 100 | 80j6 | 3 | 6.5 | 14k6 | | 30 | | 21.5 | | 5h9 | | M6 | 190 | | 160 | 129 | 3.15 |
| BAC90M/H0 | 90 | 100 | 80j6 | 3 | 6.5 | 14k6 | | 30 | | 21.5 | | 5h9 | | M6 | 225 | | 195 | 129 | 4.15 |
| BAC90L/H0 | 90 | 100 | 80j6 | 3 | 6.5 | 14k6 | | 30 | | 21.5 | | 5h9 | | M6 | 260 | | 230 | 129 | 5.15 |
| SAC118S | 118 | 130 | 110j6 | 3.5 | 8.5 | 24k6 | 19k6 | 50 | 40 | 27 | 21.5 | 8h9 | 6h9 | M8 | 306 | 296 | 265 | 155 | 9.1 |
| SAC118M | 118 | 130 | 110j6 | 3.5 | 8.5 | 24k6 | 19k6 | 50 | 40 | 27 | 21.5 | 8h9 | 6h9 | M8 | 350 | 340 | 300 | 155 | 11.1 |
| SAC118L | 118 | 130 | 110j6 | 3.5 | 8.5 | 24k6 | 19k6 | 50 | 40 | 27 | 21.5 | 8h9 | 6h9 | M8 | 385 | 375 | 335 | 155 | 13.1 |
| SAC118H K | 118 | 130 | 110j6 | 3.5 | 8.5 | 24k6 | 19k6 | 50 | 40 | 27 | 21.5 | 8h9 | 6h9 | M8 | 221 | 211 | 171 | 155 | 6.2 |
| SAC118H S | 118 | 130 | 110j6 | 3.5 | 8.5 | 24k6 | 19k6 | 50 | 40 | 27 | 21.5 | 8h9 | 6h9 | M8 | 264 | 254 | 214 | 155 | 8.5 |
| SAC118H M | 118 | 130 | 110j6 | 3.5 | 8.5 | 24k6 | 19k6 | 50 | 40 | 27 | 21.5 | 8h9 | 6h9 | M8 | 299 | 289 | 249 | 155 | 10.8 |
| SAC118H L | 118 | 130 | 110j6 | 3.5 | 8.5 | 24k6 | 19k6 | 50 | 40 | 27 | 21.5 | 8h9 | 6h9 | M8 | 334 | 324 | 284 | 155 | 13.1 |

RA Resolver 2/4/6 Polig
 EY-2048 Encoder
 BT Haltebremse 2 Nm 24VDC SAC55 0,4 Nm 24VDC SAC118H 9 Nm 24VDC
 BR Haltebremse 2.5 Nm 24VDC
 ES-.. Stegmann SinCos single/multiturn
 H0 BAC Motoren im einteiligen Gehäuse



Althardstrasse 190
 8105 Regensdorf
 Tel +41 44 870 94 00
 Fax +41 44 870 94 01

e-mail: info@gmb-em.ch
 Internet www.gmb-em.ch

24 h Störungsdienst
 Tel. +41 44 870 93 00